

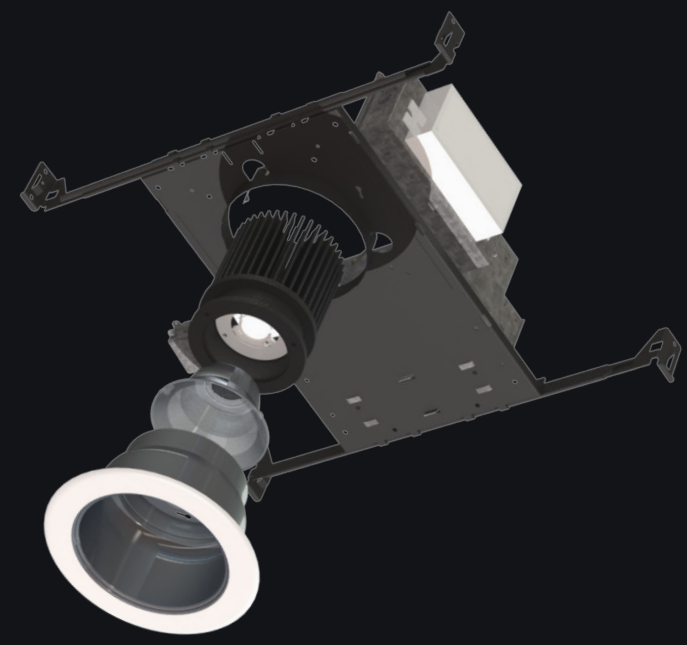
**NICOR**<sup>®</sup> | LED  
**Paragon**

SPECIFICATION GRADE DOWNLIGHT



MODULAR ARCHITECTURAL DOWNLIGHT SYSTEMS

# NICOR<sup>®</sup> LED Paragon



WITH OVER **100,000**

configurations there is an ideal combination for you and any location: commercial, residential & architectural. Make it perfect. Make it Paragon.

## OPTICS

Maximize your light output with precision engineered optics. Field interchangeable optic lenses provide beam patterns of 15°, 25°, 36° and 60°.



## TRIMS

Visual comfort is a key feature of the DDA series. Every trim is created with die-cast construction that creates a contemporary look for today's interior design.



**96** VARIETIES Including: baffle, lensed wet location, wall wash and quiet ceiling options

## 3" DDA

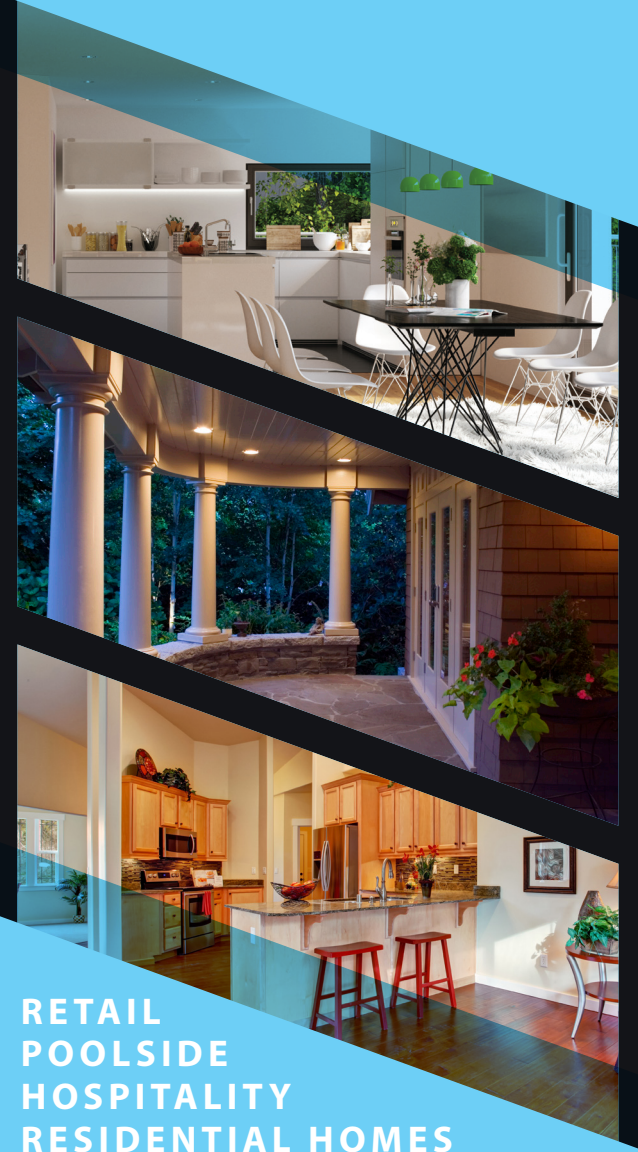
### DDA OVERVIEW

The sophisticated small aperture of the DDA 3" LED downlight and adjustable offer a designer-look for today's high end residential and commercial interiors. Featuring low-glare optics and a 55° cut-off, the deeply recessed LED source provides visual comfort and high quality illumination.

Offered with standard Tri-D dimming for Triac, ELV and 0-10V dimming and 120V-277V driver. The DDA is perfect for any decor. Available in 1400 or 2000 lumen packages.



### APPLICATIONS



RETAIL  
POOLSIDE  
HOSPITALITY  
RESIDENTIAL HOMES

## LIGHT ENGINES & HOUSINGS



### Adjustable Light Engine ICAT Housing

Featuring 30 degree vertical adjustment, 358 degree horizontal adjustment and a slot adjustment for thick ceiling installations. Included butterfly brackets provide mounting for commercial ceilings.



### Remodel Light Engine ICAT Housing

The remodel housing features insulation contact and air tight ratings for use in new construction or remodel residential applications with the standard downlight trim.

### 3" LIGHT ENGINE FEATURES

- 14W (1200 lumen) or 20W (1800 lumen)
- 2700K, 3000K, 3500K, and 4000K
- Minimum 90 CRI
- Dim-to-Warm
- TRI-D Dimming Driver; 120-227V with ELV, Triac and 0-10V down to 1%
- Universal Housing for round and square trims
- Title24 & Energy Star Qualified
- Wet location listed
- Solite<sup>®</sup> glass for lensed/ wet location trims
- 3-Step MacAdams binning



### Plaster Frame & Mudring

The plaster frame allows the remodel housing to be installed in new construction applications. The mudring is an accessory for the adjustable housing that allows for quiet ceiling installations.

# 4" CDA

## CDA OVERVIEW

The CDA 4" specification grade downlight offers flexibility beyond measure. A cost-effective solution that meets the demanding needs of commercial spaces while also offering an IC and Airtight rated housing for residential purposes. The flexibility of the 4" model makes it great for applications of any scale. From kitchens and living rooms, to eateries and hotel lobbies.



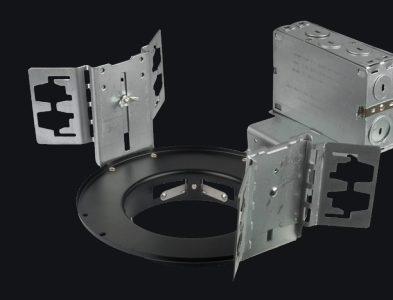
PUBS  
OFFICES  
SHOWROOMS  
MULTIFAMILY HOMES

## APPLICATIONS

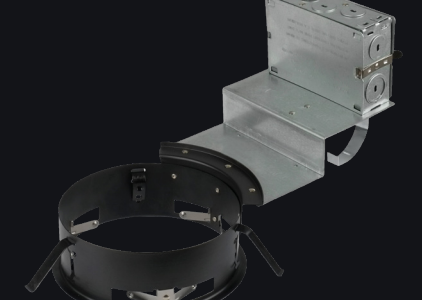
## LIGHT ENGINES & HOUSINGS



**Plaster Frame**  
Features adjustable hanger bars for joist ceiling installations.



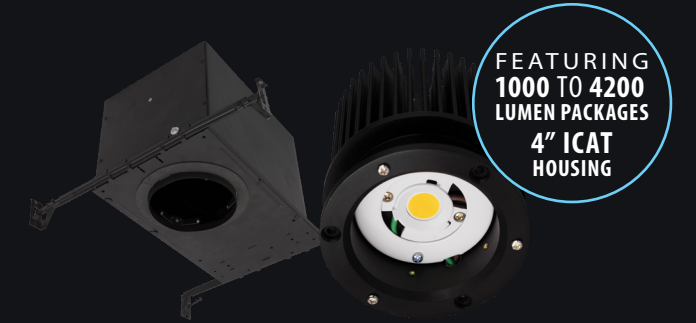
**Architectural Frame**  
Butterfly brackets for commercial ceiling installations using C-channel bars



**Remodel Frame**  
Arch clips and a narrow form factor for remodel applications



**Standard Light Engine**  
Available in a variety of color temperatures and wattages up to 50W with a dim-to-warm option



**CDA4 ICAT Light Engine and Housing**  
Arch clips and a narrow form factor for remodel applications

## OPTICS

Flexibility at its best. The twist-n-lock optics are field interchangeable with no tools. Available in 20°, 40°, and 60° beam spreads with optional wall grazer.



## TRIMS

Our deep trims offer a 55° cutoff to the optic creating effective illumination without the glare seen in many products. These aesthetically pleasing trims are available in a wide variety of colors, finishes and more.



## 4" LIGHT ENGINE FEATURES

- Tri-D Dimming Driver; 120-277V driver comes standard with full-range dimming ELV, Triac and 0-10V down to 1%
- Field interchangeable optics in narrow, medium, wide and wall grazer
- 2700K-5000K CCT's with 80-90 CRI
- Extensive lumen packages from 1000 to 4200 lumens
- Wet Location
- Universal Light Engine for all trims
- 3 Step MacAdams binning
- Retrofit installations into most existing frames
- 4" ICAT housing up to 38 Watts
- Dim-to-Warm
- L70 at 50,000 hours in accordance with IES TM-21
- Energy Star Qualified
- 5-Year Warranty

# 6-10" CDA

## CDA OVERVIEW

The CDA series of specification grade downlights is a new generation of lighting and available in over 100,000 configurations. Today's energy codes demand flexibility in power consumption. The CDA series is an energy efficient, cost-effective solution designed to meet and exceed the demanding needs of residential, commercial, retail and institutional spaces with ceiling up to 60ft. Available in 6", 8" and 10" sizes.



HOTEL  
OFFICES  
HOSPITALITY  
INSTITUTIONAL

## APPLICATIONS

## LIGHT ENGINES & HOUSINGS



**Plaster Frame**  
Features adjustable hanger bars for joist ceiling installations.

**Architectural Frame**  
Butterfly brackets for commercial ceiling installations using C-channel bars

**Remodel Frame**  
Arch clips and a narrow form factor for remodel applications

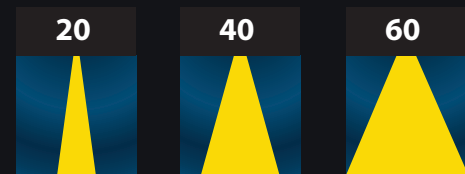


**Standard Light Engine**  
Available in a variety of color temperatures and wattages up to 50W with a dim-to-warm option.

**High Output Light Engine**  
Available on the 6-10" reflectors in a variety of color temperatures at 70W or 100W outputs.

## OPTICS

Offered on all CDA fixtures the Twist-N-Lock optics are field interchangeable with no tools. Available in 20°, 40°, and 60° beam spreads with optional wall grazer.



## TRIMS

Developed with high standards a 55° cutoff to the lens provides an exceptionally low glare product while still maintaining excellent performance. These aesthetically pleasing trims are available in a wide variety of colors and finishes for standard and high output options.



## 6-10" LIGHT ENGINE FEATURES

- Tri-D Dimming Driver; 120-277V driver comes standard with full-range dimming ELV, Triac and 0-10V down to 1%
- Field interchangeable optics in narrow, medium, wide and wall grazer
- 2700K-5000K CCT's with 80-90 CRI
- Extensive lumen packages from 1000 to 7000 lumens
- Wet Location
- Universal Light Engine for all trims
- 3 Step MacAdams binning
- Retrofit installations into most existing frames
- Dim-to-Warm
- L70 at 50,000 hours in accordance with IES TM-21
- Energy Star Qualified
- 5-Year Warranty

# NICOR® LED Paragon

MAKE IT PERFECT.  
MAKE IT PARAGON.

## Warehouse Locations

Albuquerque, NM

Atlanta, GA

Detroit, MI

Houston TX

Indianapolis, IN

Lombard, IL

Miami, FL

Syracuse, NY

Van Nuys, CA

**T 800.821.6283**

**F 800.892.8393**

[www.nicorlighting.com](http://www.nicorlighting.com)

2200 Midtown Pl. NE

Albuquerque, NM 87107 USA



LIT-PARAGON MINI 0519

20190515

©2019 NICOR® • ALL RIGHTS RESERVED